

7-084 Cylinder Quarter-Turn Pr20.1 L18

Key operable, Stainless Steel, Grounding nut

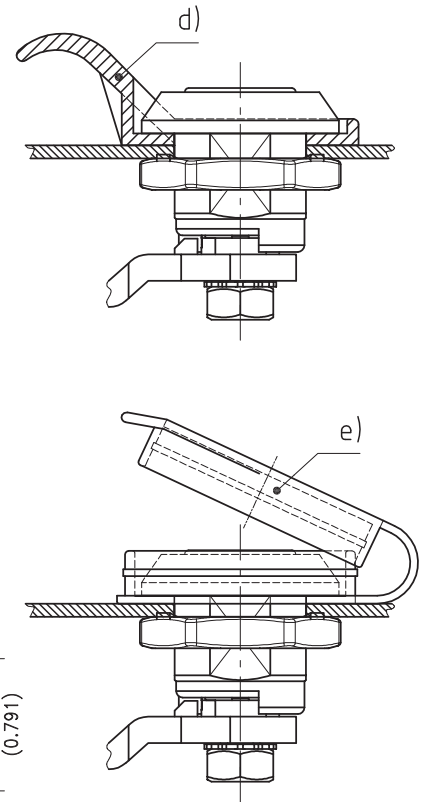
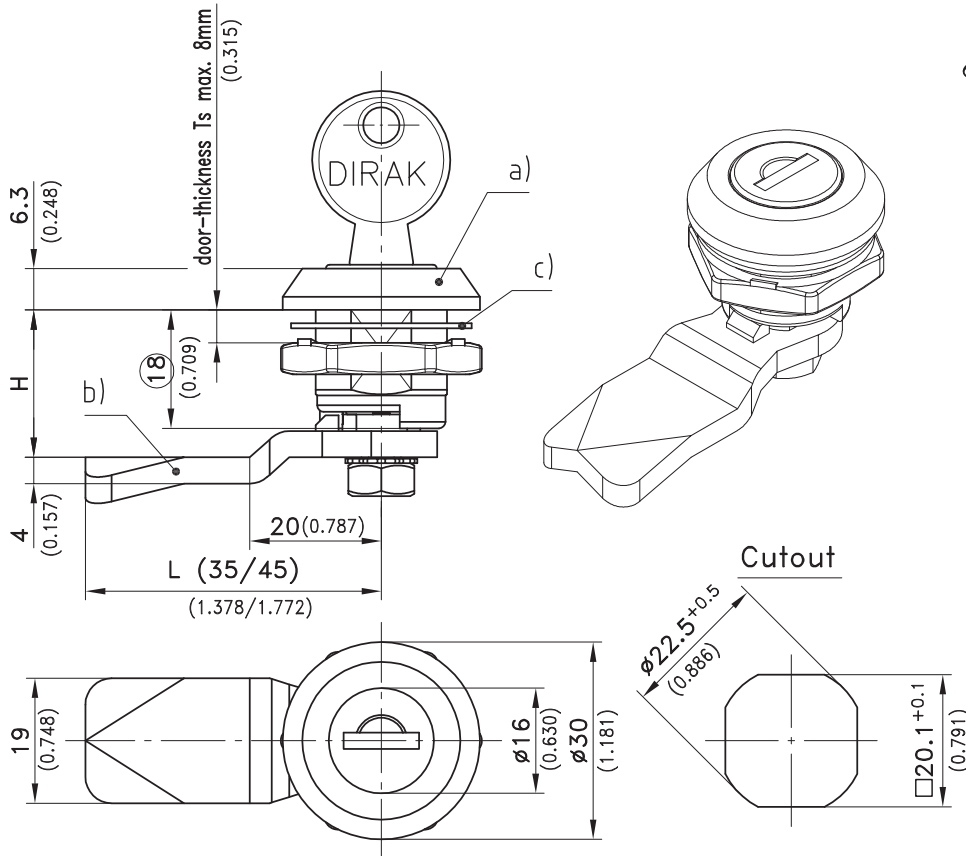
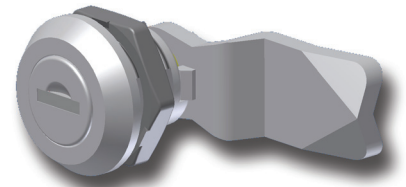


Product Notes:

- For stability the key cylinder is secured by nut DIN 934
- The wave washer fitted between housing and cam prevents the cam from moving downwards in unlocked position and neutralizes possible cumulative play
- RH and LH application
- Grounding achieved with grounding nut
- Zinc die - see Product System 1-120
- Tool-less installation - see Product System 1-120SL

Material:

- **Housing, grounding nut, adapter, cylinder barrel, hexagon nut and wave washer: Stainless Steel AISI 316**



a) Housing with grounding nut and cylinder barrel keyed alike DIRAK 1333 keyed different	Part No. 200-9232 200-9233	See Page
b) Cams		01.24
c) Flat external seal	200-0901	
d) Finger pulls		01.106
e) Dust caps		01.106